

Counters

EMBRACE + LED

V1



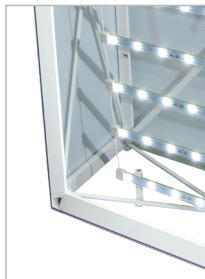
Double-sided collapsible counter with aluminium frame for dressing with visual textile. Backlit graphics boost your brand messaging.

Description:

- LED back lighting kits can be attached on to the scissorsto illuminate the front.
- This system comes with the appropriate channel bars for a double sided display
- Tool-free
- Angled channel bars so that there are minimal shadows



Attach graphic into
SEG channel

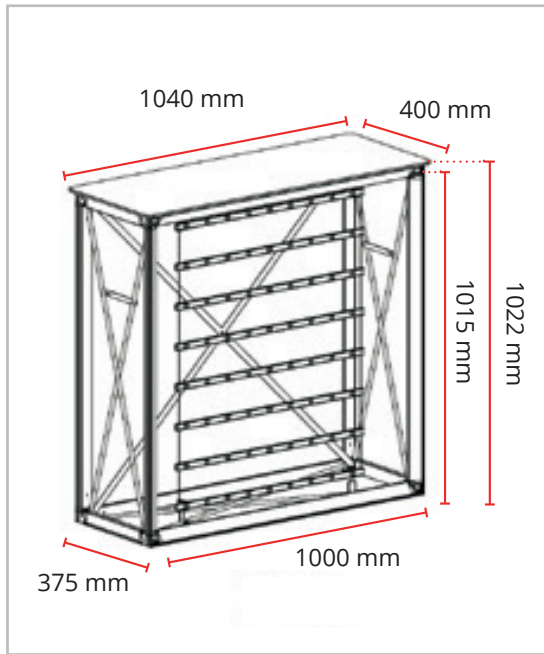


Internal LED lighting

Counters

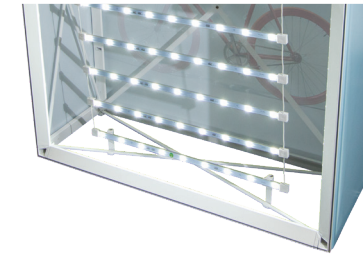
EMBRACE + LED

V1



LED lights:

- Consists of 8 ledstrip (each with 9 LED bulbs)
- Transformer: max power 90W



Hardware:

Code	Name	Hardware Dimensions with table top (h x w x d mm)	Hardware Dimensions without table top (h x w x d mm)	Weight with table top	Weight with bag	Parcel dimensions (h x w x d mm)	Weight
EMB-PL-CNTR-LED	Lada Embrace + LED	1022 x 1040 x 400	1015 x 1000 x 375	11 kg	15 kg	190 x 1175 x 470	16,2 kg

Dimensions folded structure: 85 (h) x 1055 (w) x 110 (d) mm

Tablet dimensions only: 13 (h) x 1040 (w) x 400 (d) / Weight : 3,8 kg

Counters

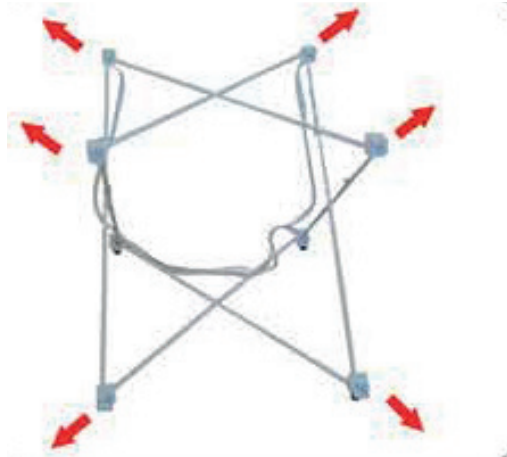
EMBRACE + LED

Assembly

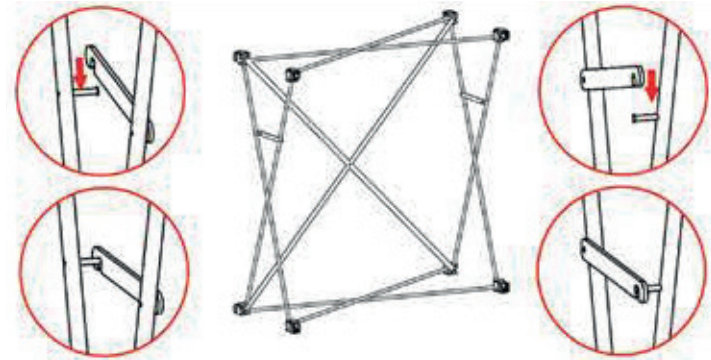
1



2



3



4



5



6



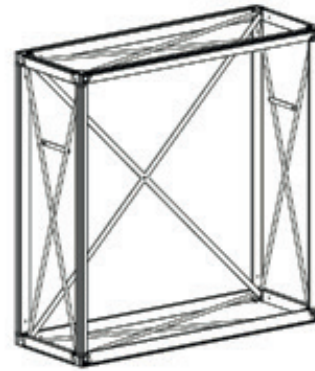
Counters

EMBRACE + LED

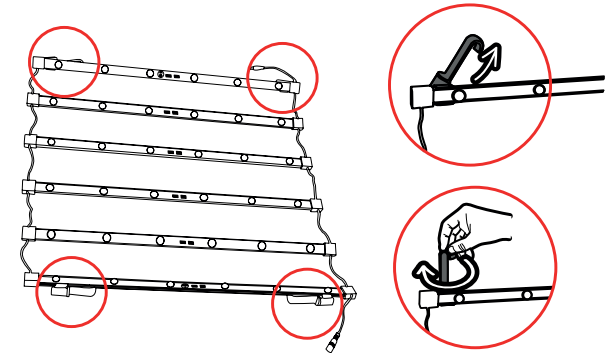
7



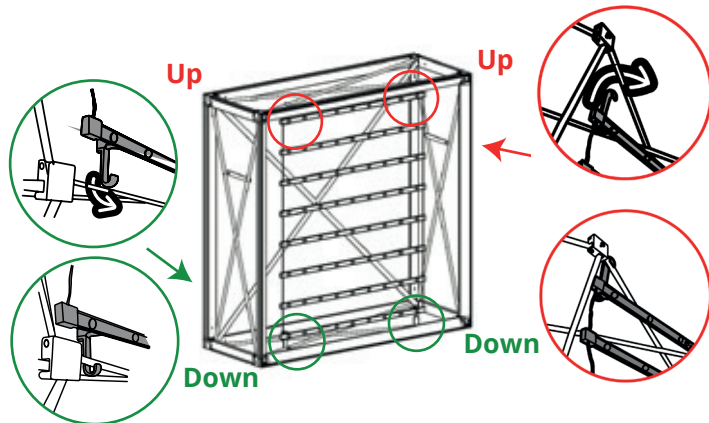
8



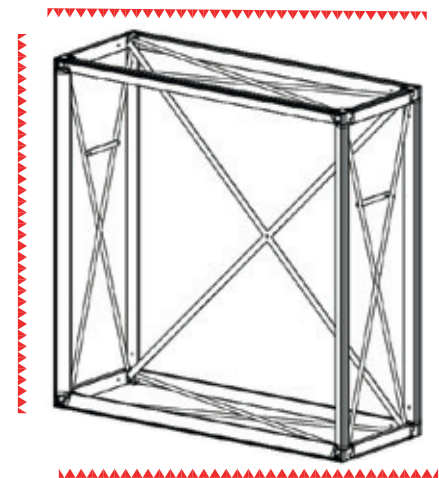
9



10 Place the LED curtain at the front of the counter



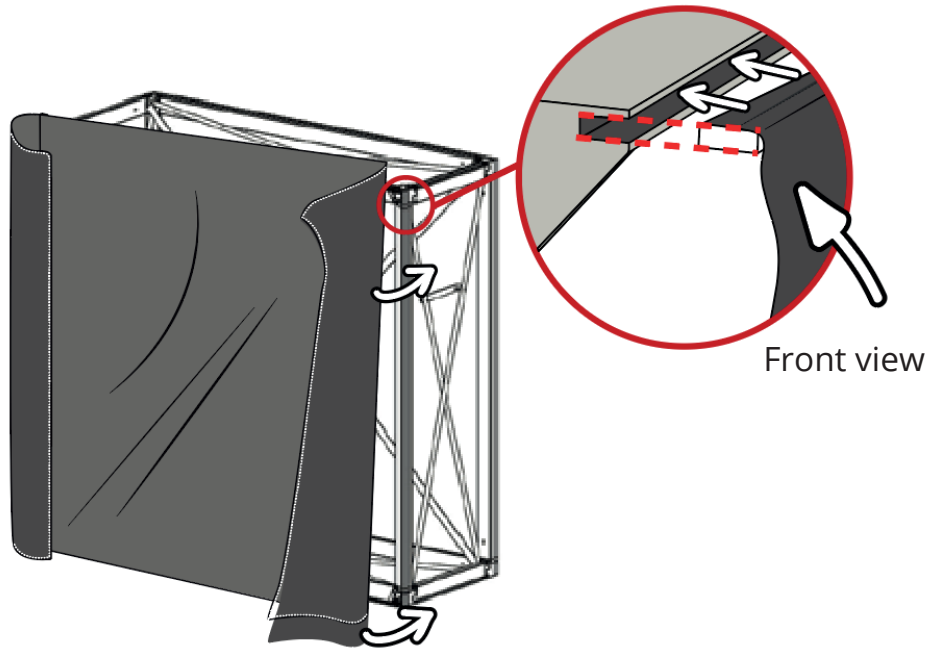
11a Insert the fabric graphic in the grooves on the frame



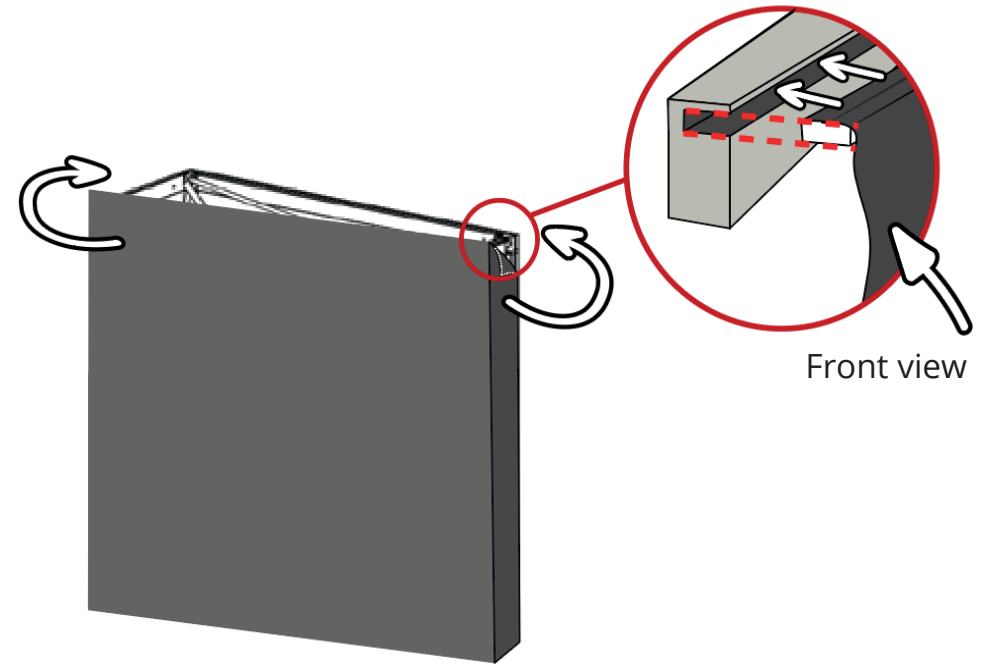
Counters

EMBRACE + LED

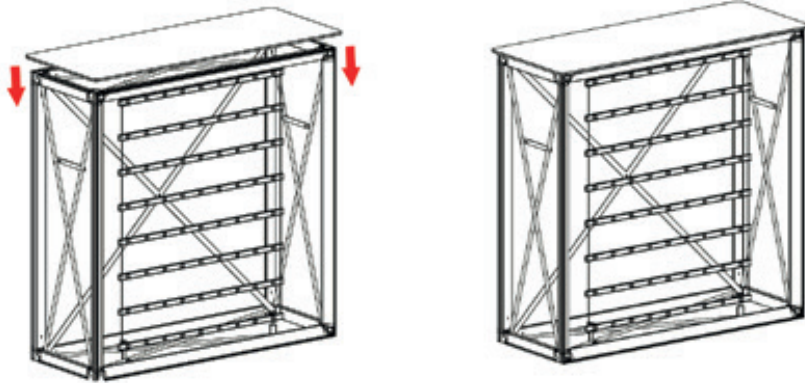
11b



11c



- 12** Position the table top on the pins of the structure.
Connect the LED curtain to the transformer.



WARNING

Make sure all connections are properly made before turning on the device. Misuse could damage the LEDs.